

Industrial Swing Gate Operator

SW 490

powerful performance for high cycle, heavy industrial swing gate applications

This hefty design supports gate lengths up to 22 feet and gate weights up to 1,000 pounds. Utilizing a weather-resistant powdercoated steel enclosure, a wormgear reduction drive and high-starting torque motor offers you years of reliable and powerful performance. This model is ideal for demanding industrial applications and is fully UL325-compliant.

built-in 312HM radio receiver

Exclusive from Chamberlain, a single remote control access solution for gates and additional access points.

the LiftMaster® gate logic (GL) board provides many enhanced and exclusive features as STANDARD

- Fully Adjustable Inherent Obstruction Detection System
- Advanced Dual Gate Operation
- "Sequenced Access Management" (SAM) System
- Shadow Loop Input
- Industrial Surge and Spike Protection
- Digital Logic Control Allowing for Long Control Lines of Over 1,000 Feet
- Separate Open and Close External Sensor Inputs
- 17 LEDs to Ease Installation and Speed Diagnostics



2 year warranty

CHAMBERLAIN

LiftMaster
PROFESSIONAL

standard features

built-in radio receiver

Includes a factory-installed 312HM radio receiver for use with DIP switch, billion code and Security+® remote controls. This allows for one LiftMaster® remote control to conveniently open the gate and additional access points. Remote controls sold separately.

external obstruction sensing

Input connections are provided for external contact and non-contact sensors, such as photo-eyes and edge devices.

advanced dual gate operation

This convenient 2-wire system allows the operation of 2 separate gate operators in unison at a single entrance. This advanced system provides the added convenience of connecting accessories to either operator.

sequenced access management

The sequenced access management (SAM) system provides the capability to sequentially control the operator in tandem with a barrier gate.

digital logic control

Supports long-distance control wiring runs of over 1,000 feet, providing you greater flexibility of gate operator site placement.

LED indicators

Operator input, status and diagnostic LEDs simplify setup and troubleshooting.

warning device

UL325-compliant entrapment warning alarm has the ability to be set for pre-operation warning. This will provide a 3-second warning prior to and during gate movement.

loop detector inputs

A full range of inputs are available to support exit, shadow and interrupt loop detectors.

timer to close

Adjustable timer can be set from 1 to 180 seconds. The unit will automatically reset upon receiving any additional open commands.

maximum run timer

Protects against damage to the gate and operator by limiting the unit's run time to 120 seconds.

emergency stop button

This one-button station will halt movement of the operator in an emergency situation and comes standard in an outdoor weather-tight enclosure.

maglock control

A dedicated control relay is provided to activate and deactivate an optional magnetic lock for securing the gate.

gear drive reduction

The wormgear 30-to-1 reduction unit is saturated in an oil bath for strong fluid motion of the operator.

control inputs

Control inputs allow the connection of a full range of optional external devices like loop detectors, telephone entry systems, access control systems and radio receivers.

limit settings

All driven limit cams are fully adjustable, adding considerable convenience to unit installation and maintenance.

surge & spike protection

Specially designed circuitry provides excellent protection from external spikes or surges.

manual disconnect

Ensures that manual operation is possible during emergencies and maintenance work.

removable access control panel

A removable access door is incorporated into the design to provide easy access to the electronics when programming and for maintenance.

SPECIFICATIONS

OPERATOR SPEED

90-degree swing in
12 seconds

POWER

115/208/230 VAC,
Single Phase – 60Hz
208/230/460/575,
Three Phase – 60Hz

OPERATOR WEIGHT

200 lbs.

ACCESSORY POWER

One - 24 VAC

UL LISTED

UL991
UL325 - Class I, II, III and IV



CONSTRUCTION

Gear Reduction: 30:1
Wormgear in Oil

Motor: 1/2 to 1 HP
High-Starting
Torque Motor

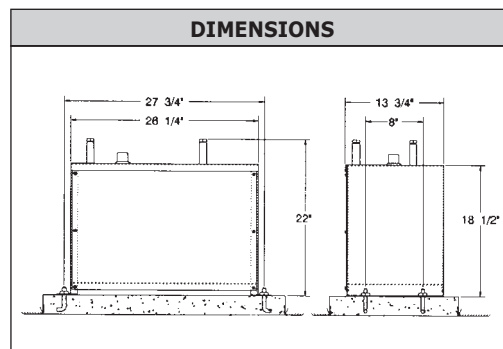
Metal Frame:
Pre-Galvanized Steel

Enclosure: Weather-
Resistant 14-Gauge
Pre-Galvanized Steel

OPTIONAL EQUIPMENT

Auxiliary Limit Switches
Auxiliary Contact Blocks
Self-Regulating Heaters
Quick-Release Manual
Disconnect System
Remote Antenna
Mounting Kit

RECOMMENDED CAPACITIES			
HP	MAX. GATE WT. (lbs.)	MAX. GATE WIDTH (ft.)	CYCLES /HR.
1/3	600	12	20
1/2	750	16	20
3/4	900	19	20
1	1000	22	20



THE CHAMBERLAIN GROUP, INC.
845 Larch Avenue • Elmhurst, IL 60126

www.liftmaster.com

VICTOR LIBERATOR TIME SYSTEMS, INC.
40 Gardenville Parkway, Buffalo NY 14224
Phone: (716) 656-5700 Fax: (716) 656-2099
Website: www.liberatortime.com



©2004 LM SW 490 Spec 02/06
The Chamberlain Group, Inc.
Printed in U.S.A.

LMGTSW49